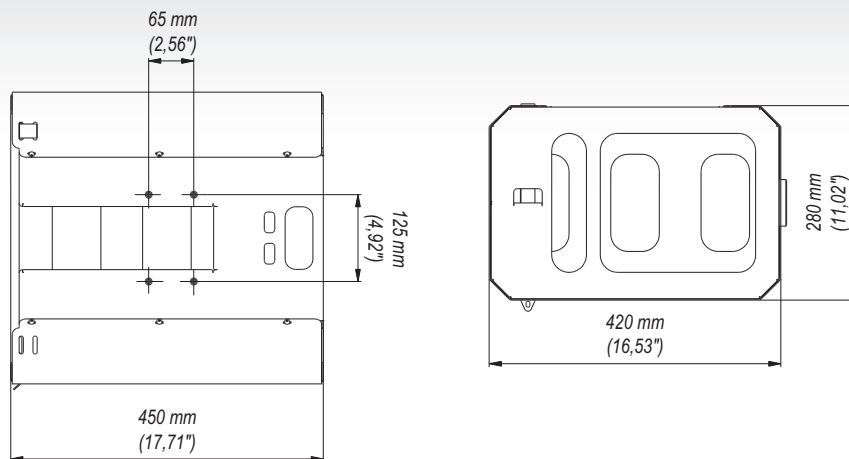




Features

- EASY AND QUICK INSTALLATION**
The safety housing design enables quick and simple installation on the Mount



Trade Information

Index	Colour	Package	EAN
PSC22c-B	■	■	5908252963614
PSC22s-B	■	■	5908252963621
PSC22w-B	□	■	5908252963638

Package Dimensions [mm] (H x W x D)	460x430x290
Weight [Kg]	8,7

Accessories

Series PM

